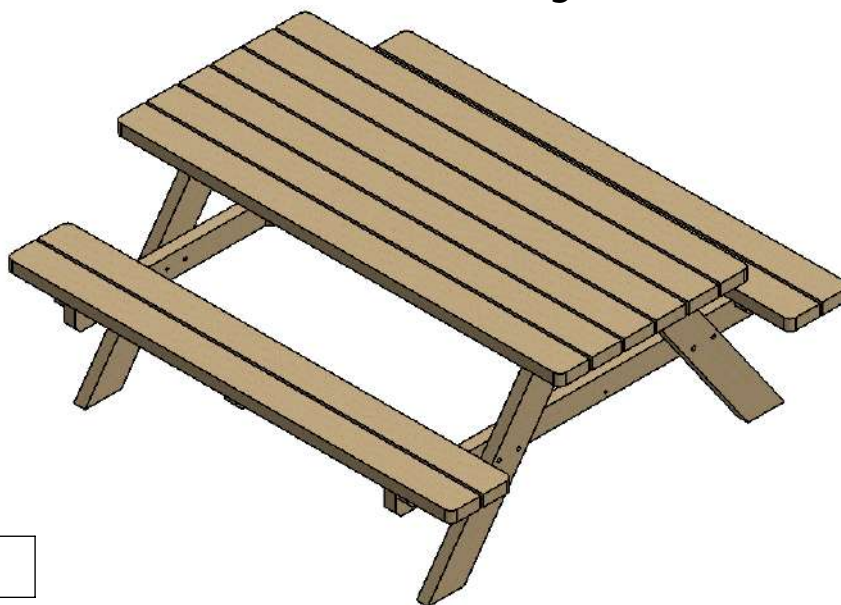

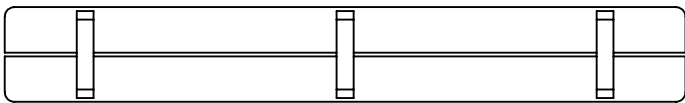
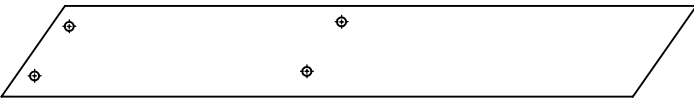
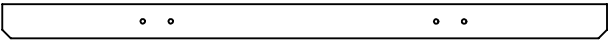
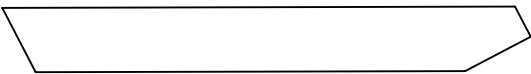
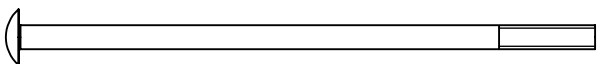
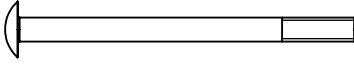
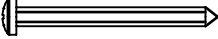



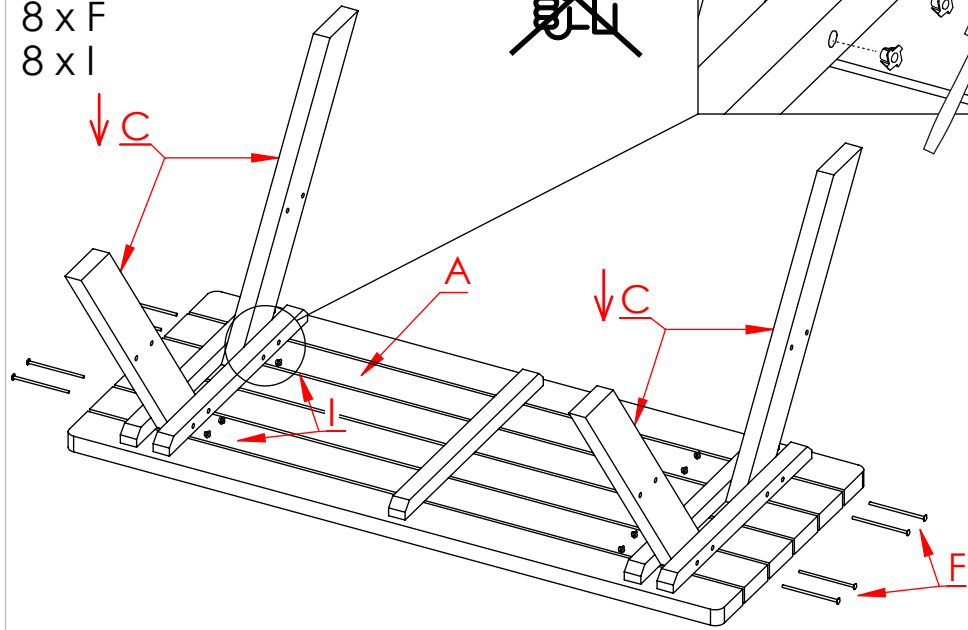
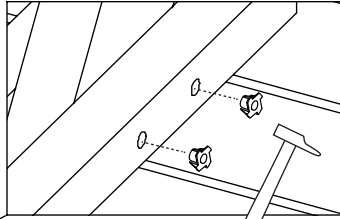
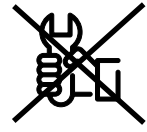
Notice de montage



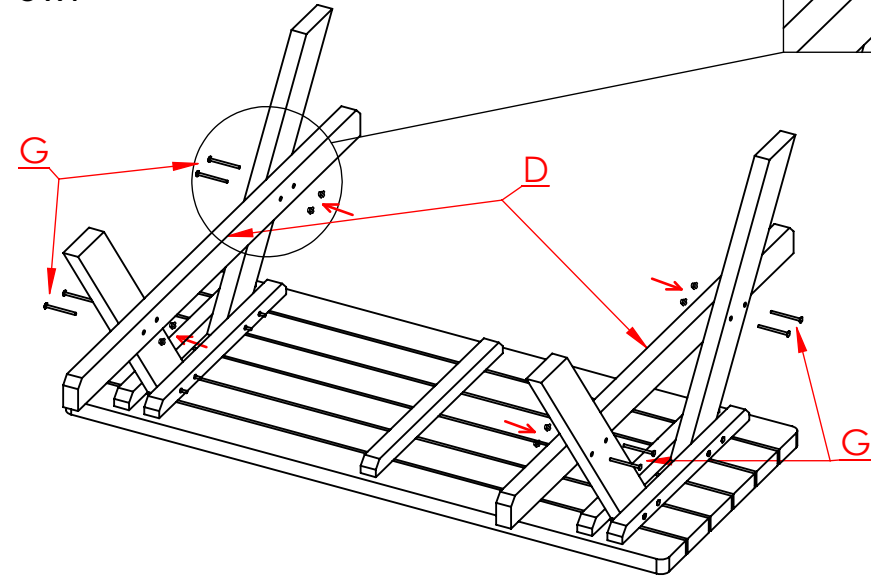
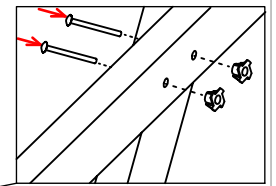
REF 0100492

PIECE	DESIGNATION	QTE	REPRESENTATION
A	PLATEAU	1	
B	ASSISE	2	
C	PIEDS	4	
D	GRANDE TRAVERSE	2	
E	RENFORT	2	
F	Vis 8 x 140	8	
G	Vis 8 x 90	8	
H	Vis 4,5 x 70	12	
I	ECROU M8	16	

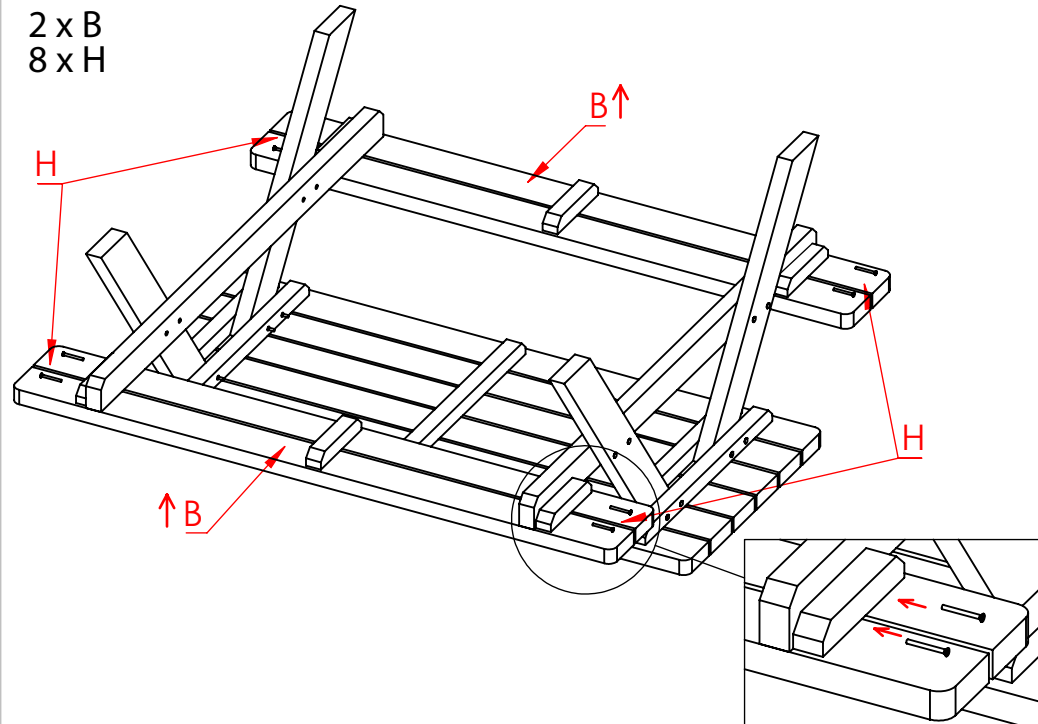
1 x A
4 x C
8 x F
8 x I



2 x D
8 x G
8 x I



2 x B
8 x H



2 x E
4 x H

