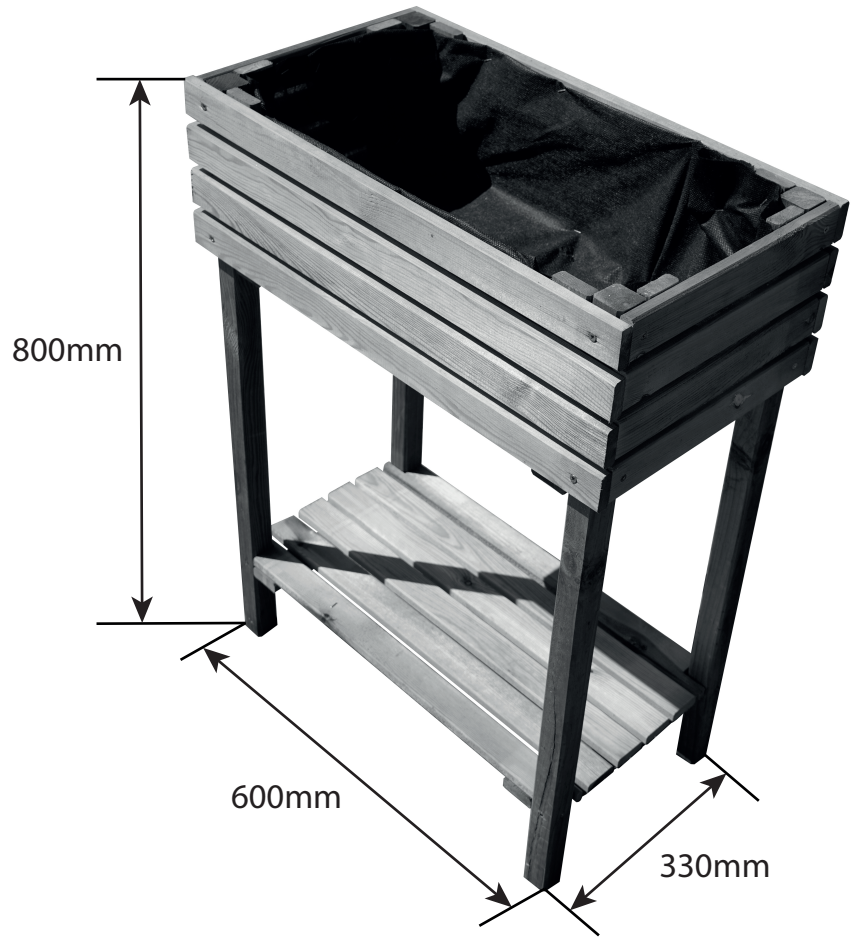


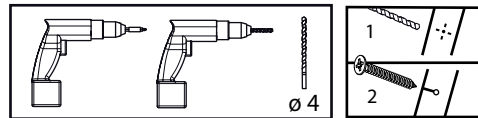
Carré potager

Réf 2680

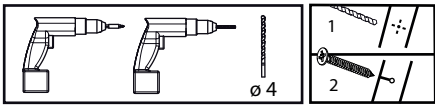


1		600x202x30	x2
2		300x202x30	x2
3		800x35x35	x4
4		570x300x30	x1
5		570x300x30	x1

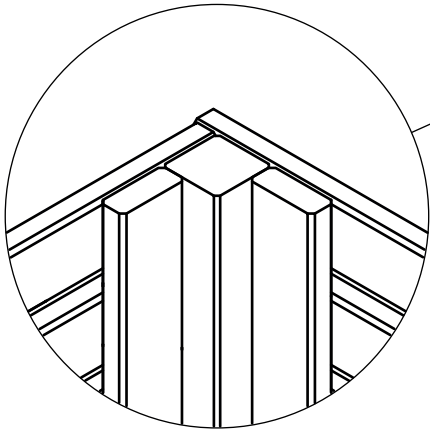
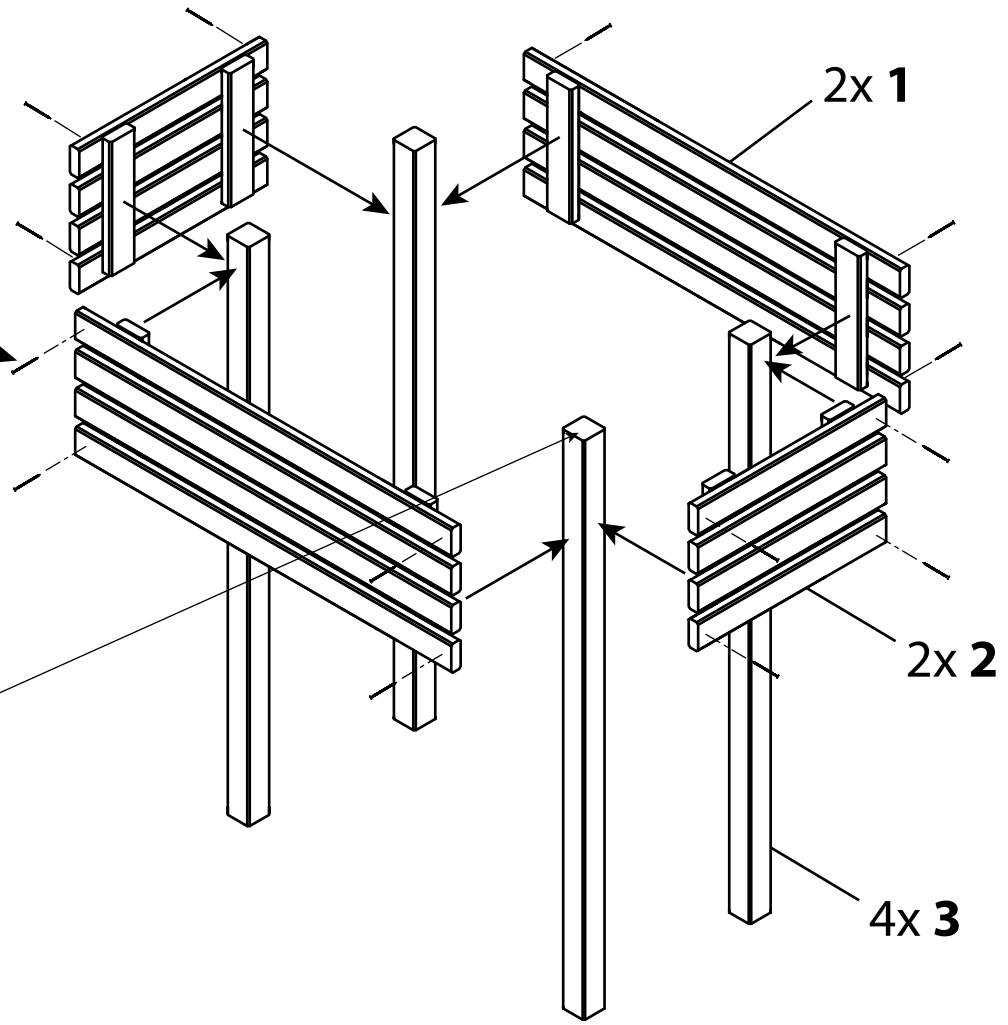
A		Ø4x35 mm	x16
B		Ø4x70 mm	x8



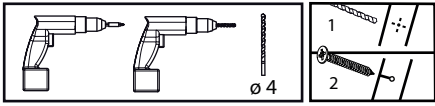
1.



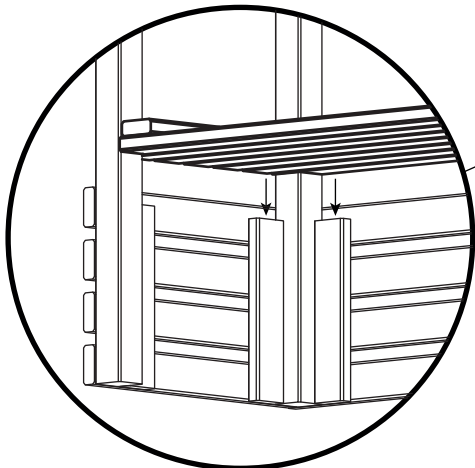
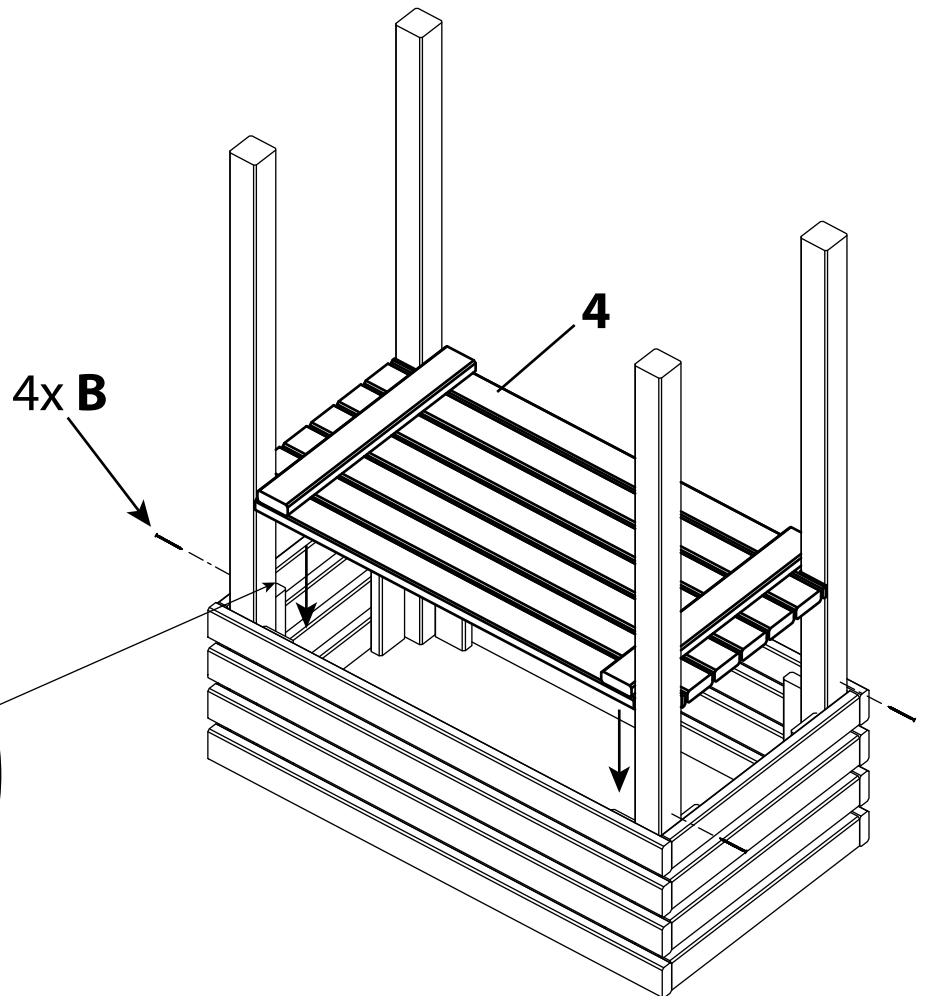
16x A



2.



4x B



3.

